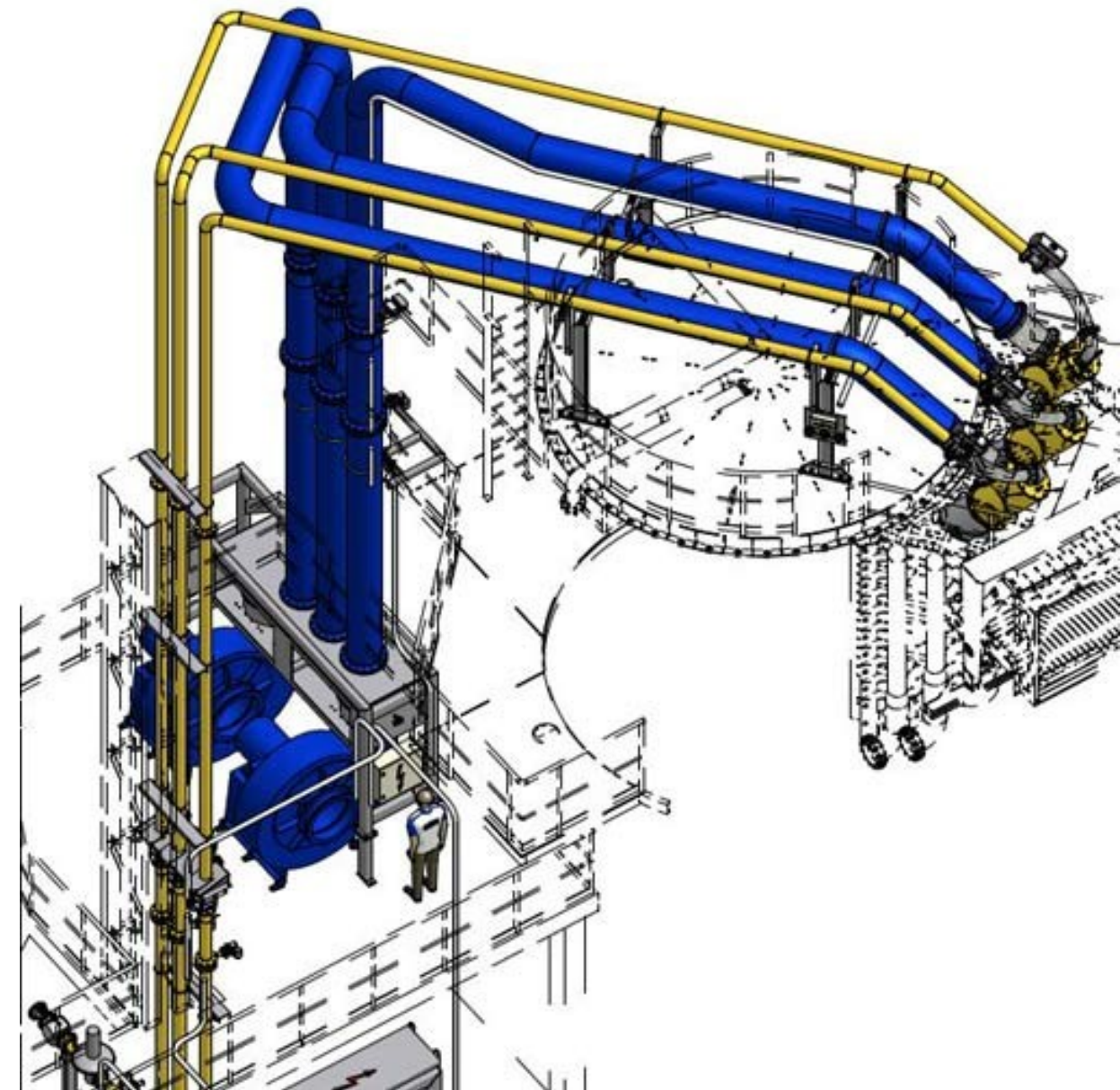


SPECIAL SOLUTIONS

(TAS) THERMAL POST COMBUSTION HEATING

MAPEKO PROVIDES THERMAL-POST COMBUSTION OF EXHAUST GASES, EMITTED BY ELECTRICAL ARC FURNACES.

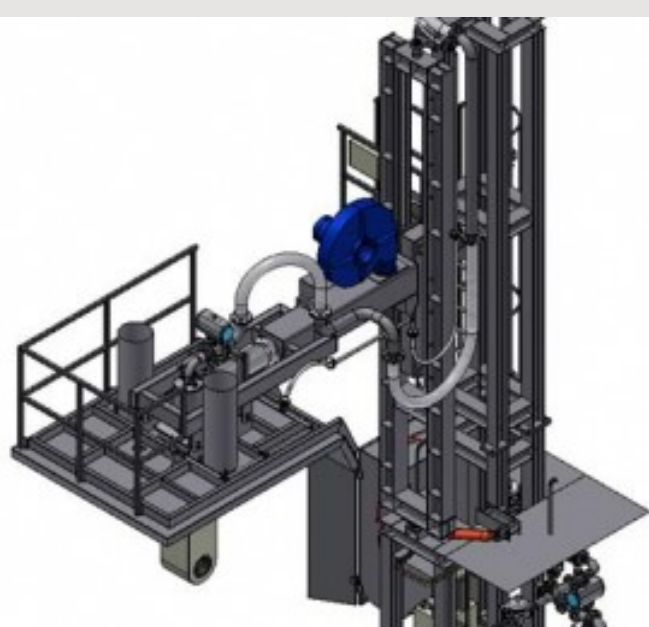
Burners are individually manufactured for the required power and installed on-site. We offer customized solutions, including the necessary controls.



[Data sheets](#)

[Direct inquiry](#)

Further MAPEKO Products



Heat and dry

TORPEDO HEATER

The Torpedo heater is used for drying as well as heating torpedo ladle. All MAPEKO Torpedo heaters are individually designed and manufactured.

[Go to Product](#)



Heat and dry

BLAST FURNACE RUNNER HEATER

The Blast furnace runner heaters are used for drying and heating runners. All MAPEKO heaters are individually designed and manufactured.

[Go to Product](#)